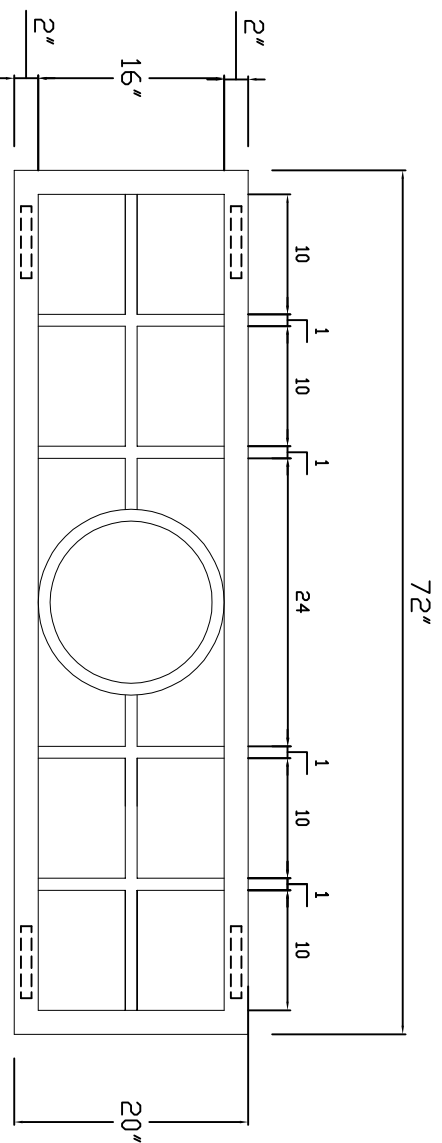
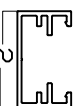


CANOPY GRILL



DECORATIVE GRILL



DETAIL OF PERIMETER FRAME

GENERAL NOTES
 1) GRILL CIRCLE AND HORIZONTAL AND VERTICAL INFILL ARE 1" O.D. ROUND TUBING.

2) USE 1 BEAD OF POLYURETHANE CAULKING ABOVE EACH GRILL INSTALLATION CLIP.

Decorative Grills

Decorative Grills			
DRAWN BY:	JKK	DATE ✓	JOB NO:
CHECKED BY:		/ /	SCALE: 3/4"=1'

MANUFACTURED BY
BENCHMARK FABRICATING, LLC
 1454 Second Street PO Box 68 Dudley, Georgia 31022
 Phone 478-676-4979 benchm@progressivetel.com Fax 478-676-2009
 www.benchmarkfabricating.com