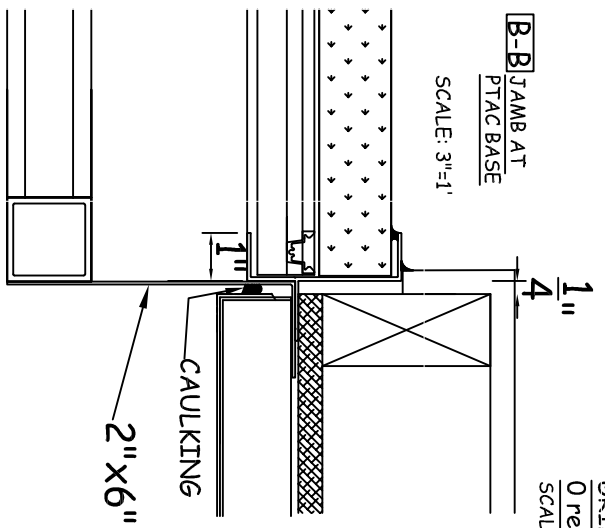
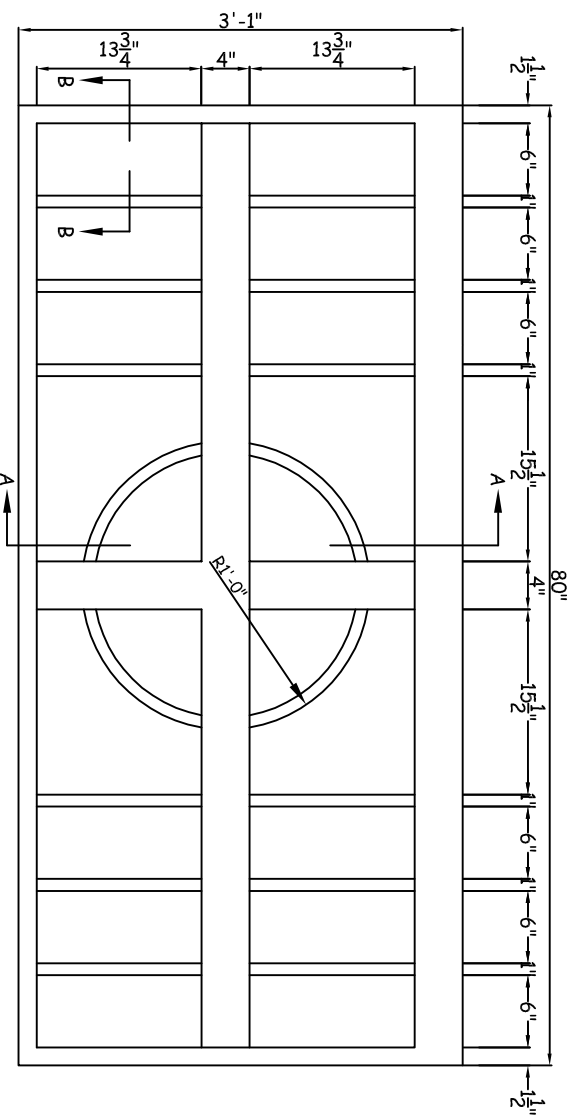


A-A SECTION THRU
PTAC BASE
@ PTAC SLEEVE
SCALE: 1 1/2"=1'



B-B JAMB AT
PTAC BASE
SCALE: 3"=1'



GRILLE ELEVATION
0 required
SCALE: 3/4" = 1'

GENERAL NOTES

- GRILL CIRCLE AND VERTICAL INFILL ARE 1" O.D. ROUND TUBING. FINISH IS AAMA 2604 POWDER COAT PAINT.
 - FALSE BALCONY GRILL UNITS ARE COMPLETELY ASSEMBLED.
- INSTALLATION INSTRUCTIONS**
1. INSTALL PTAC BASE SYSTEM AND WINDOW.
 2. MOUNT 2"x6" ANGLE OVER WINDOW AND PTAC BASE NAIL FIN AS SHOWN BEFORE INSTALLING EFIS OR BRICK.
 3. AFTER INSTALLING EFIS OR BRICK, SCREW FALSE BALCONY GRILL TO 2"x6" ANGLE FRAME.

False Balcony Grille

| | | | |
|-----------------------------|-----|----------|-------|
| False Balcony Grille | | | |
| DRAWN BY: | JKK | DATE | ✓ |
| CHECKED BY: | | JOB NO.: | |
| | | SCALE: | 1"=1' |

MANUFACTURED BY
BENCHMARK FABRICATING, LLC

1454 Second Street
PO Box 68
Dudley, Georgia 31022
Phone 478-676-4979
Fax 478-676-2009
benchm@progressivetel.com
www.benchmarkfabricating.com

11-17-09
Sheet 1